

# Catch Pits

Pg 1 of 2

## Details

Concrete Strength: 6500 psi (45 MPa) @ 28 Days  
Air Entraining: 5 - 7%

Reinforcement: 10mm Rebar  
Structural Fiber  
4x4x4/6 Welded Wire Mesh  
#6 Wire

## Options

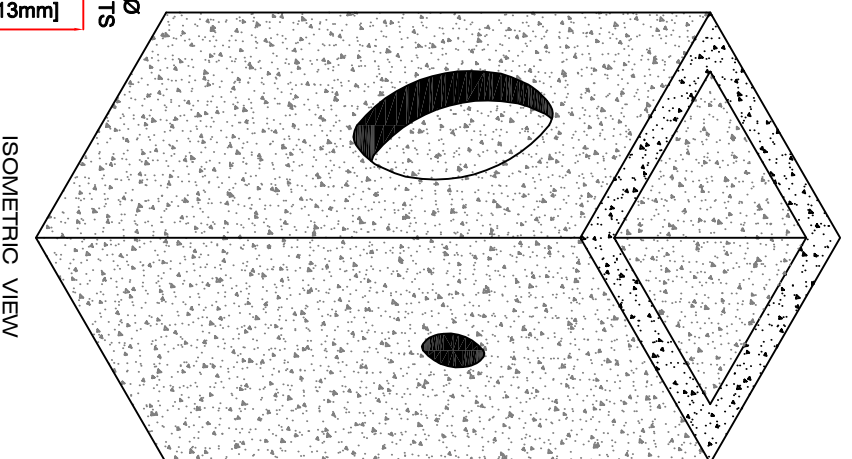
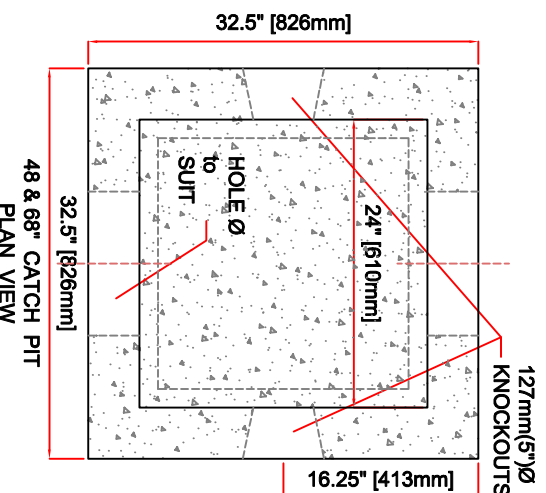
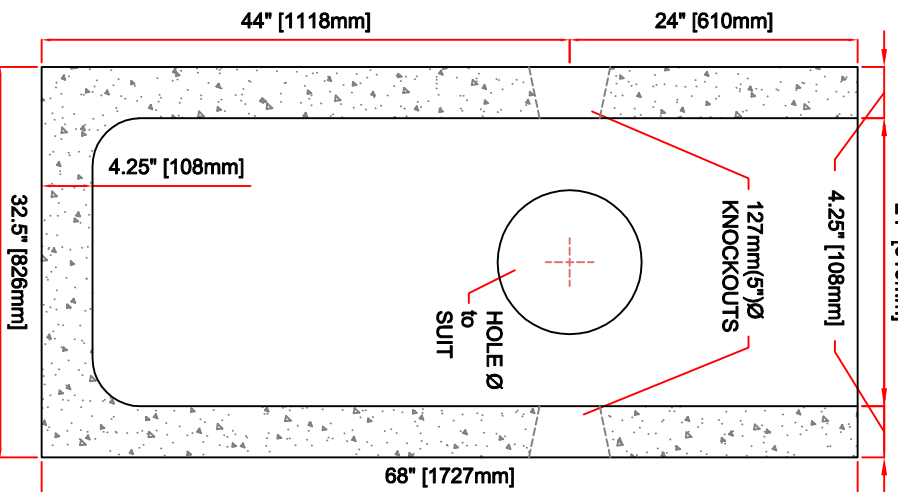
Pit Depth: 1219mm (48") and 1727mm (68")  
Hole Size: Standard 305mm (12"), optional 152mm (6")  
Custom Sizes Available

Risers Available:  
76mm (3")  
152mm (6")  
229mm (9")  
305mm (12")  
Custom Heights

Other Notes

ISLAND  
CONCRETE PRODUCTS LTD.  
SYDNEY SITE  
517 KELTIC DR.  
Phone: 902-562-2426  
PORT HASTINGS SITE  
522 Hwy 105  
Toll Free: 1-855-562-2426

BROOKFIELD  
CONCRETE PRODUCTS LTD.  
P. O. BOX 37, 778 HWY 2  
BROOKFIELD, N. S.  
B0N 1C0  
Phone: 902-673-2225  
Toll Free: 1-888-705-2225  
Fax: 902-673-2255



ISOMETRIC VIEW

DATE: March 2016  
SCALE: 3/4" = 1'-0"  
PROJECT:

LOCATION:  
Sheet # of

**Brookfield Concrete Products Ltd.**

Your Pre-cast Specialists

e-mail: [info@brookfieldconcrete.ca](mailto:info@brookfieldconcrete.ca)

**Island Concrete Products Ltd.**

Sydney / Port Hastings

e-mail: [info@islandconcreteproducts.ca](mailto:info@islandconcreteproducts.ca)